

# KKL2X150VB

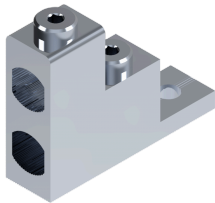
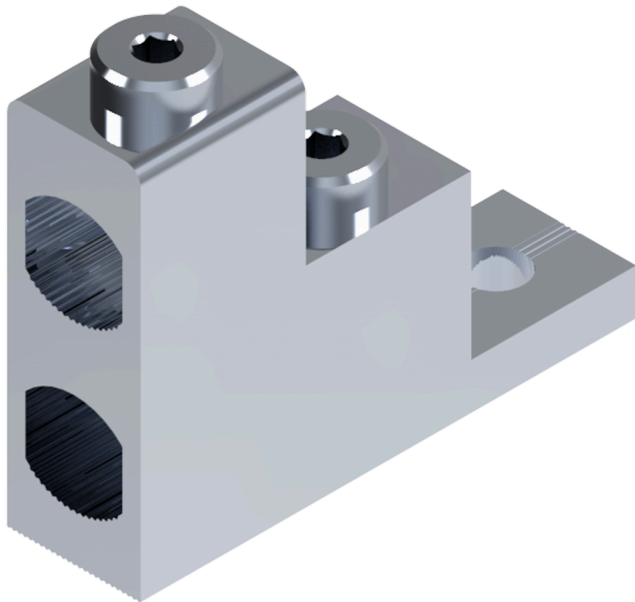
## Cable Connectors

- Sales unit = 1 pc
- Suitable for Al/Cu cables
- Material: tin-coated aluminium
- IEC 61238-1 Class A
- Environmentally friendly materials

**Conductors per cross section (mm<sup>2</sup>) table**  
>>

**KKL Installation Instructions** >>

**Compatibility tables** >>



Data subject to change without notice. Always confirm the data is correct from the seller.

## Product details

<b>SKU</b>	KKL2X150VB
<b>Al mm<sup>2</sup></b>	25-150
<b>Color</b>	Standard
<b>Cu mm<sup>2</sup></b>	25-150
<b>E-Number</b>	1942112
<b>EAN</b>	6419410484319
<b>In (Al) (A)</b>	500
<b>In (Cu) (A)</b>	640
<b>Key size</b>	Hex 6
<b>Mounting</b>	Bolt M12
<b>Number of Conductors</b>	2
<b>Package size</b>	3
<b>Torque Al/Cu (Nm)</b>	12 (25-50 mm <sup>2</sup> ) / 22 (70-95 mm <sup>2</sup> ) / 38 (120-150 mm <sup>2</sup> )
<b>Un (V)</b>	690
<b>Weight (lb/kg)</b>	0.397 / 0.18

## Dimensional drawing

